

# LIMIT SWITCHES

## Series - H11

## Environmentally Sealed Switches

FEATURES	SPECIFICATIONS	CURRENT RATINGS				
----------	----------------	-----------------	--	--	--	--

- Current ratings up to 7 amperes
- Two and four pole configurations
- Wire leads with strain relief
- Connector option available
- Single hole mounting
- Ice scraping capability
- Simultaneous contact circuitry
- Reliable lifetime operation
- Durable construction for harsh environment applications
- Wiring schematic located on switch body
- Customized to fit your exact application

- MIL-PRF-8805 approved
- Enclosure per MIL-PRF-8805 Design 4 (Resilient)
- Wire leads per MIL-W-22759/7
- Operating temperature range: -65°F to +185°F (-55°C to + 85°C)
- Electrical life: 25,000 cycles at rated load
- Mechanical life: 25,000 cycles
- All metal parts treated for corrosion resistance

Altitude	Amperes - 28VDC			
	Inrush	Resistive	Motor	Inductive
Sea Level	24	7	4	4
50,000 Feet	24	7	4	2.5
100,000 Feet	24	7	4	1.5



Cat. No. H11-375



Cat. No. H11-330



Cat. No. H11-395



Cat. No. H11-390



Cat. No. H11-335



Cat. No. H11-331

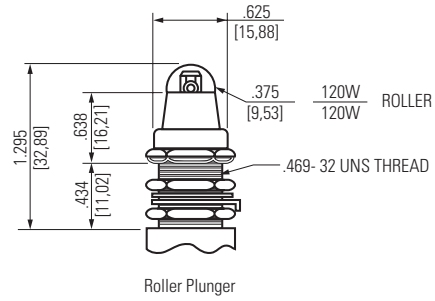
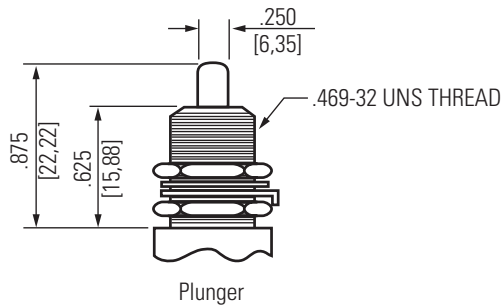
**SELECTION TABLE - All switches shown have 6-foot length lead wire per MIL-W-22759/7 marked per MIL-W-5088.**

Poles and Throw	Characteristics						MS Part Number	Catalog Number	Weight (oz.)	Bushing Thread Size	Housing Dimensions Inches Standard Base	
	Actuator	Op. Force	Return Force	Pre-Travel	Over-Travel	Diff. Travel					Height "A" Dim.	Diameter "B" Dim.
<b>STANDARD SWITCH SERIES</b>												
2 PDT	Plunger	6-12 lbs.	4 lbs. min.	.040 in. max.	.250 in. min.	.020 in. max.	MS21321-1 (8805/39)	H11-335	7.2	.625-24	.980	.720
4 PDT	Plunger	6-12 lbs.	4 lbs. min.	.040 in. max.	.250 in. min.	.020 in. max.	MS21321-2 (8805/39)	H11-395	12.5	.625-24	1.20	1.03
2 PDT	Plunger	6-12 lbs.	4 lbs. min.	.070 in. min.	.250 in. max.	.020 in. max.	MS24331-1 (8805/40)	H11-375	7.3	.625-24	.980	1.015
2 PDT	Plunger	6-12 lbs.	4 lbs. min.	.040 in. max.	.125 in. min.	.020 in. max.	MS27240-1 (8805/43)	H11-330	8	.469-32	1.0	.720
4 PDT	Plunger	6-12 lbs.	4 lbs. min.	.040 in. max.	.125 in. min.	.020 in. max.	MS27240-2 (8805/43)	H11-390	13.6	.469-32	1.20	1.03
2 PDT	Roller Plunger	6-12 lbs.	4 lbs. min.	.040 in. min.	.125 in. min.	.020 in. max.	MS27240-3 (8805/43)	H11-331	8	.32	1.0	.720
4 PDT	Roller Plunger	6-12 lbs.	4 lbs. min.	.040 in. max.	.125 in. min.	.020 in. max.	MS27240-4 (8805/43)	H11-391	13.6	.469-32	1.20	1.03

# Series - H11

# LIMIT SWITCHES Environmentally Sealed Switches

## STANDARD ACTUATOR

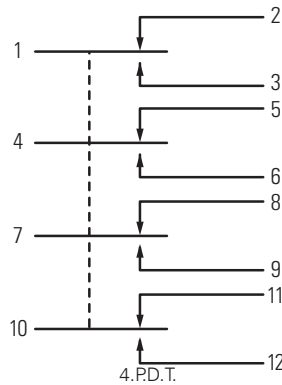
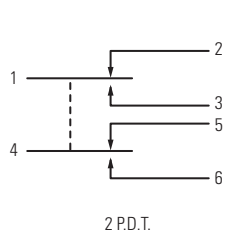


E-2-1/PART 2.AI

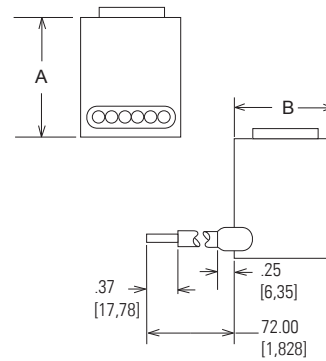
**Plunger Operated** - As with all push-on units, this actuator has an ice scraper for clearing the plunger of ice and debris with each operation.

**Roller Plunger** - For cam and slide actuation. Roller adjusts radially in 45° increments. Cam differential should not exceed 0.125 in., and cam slope should not exceed 30°.

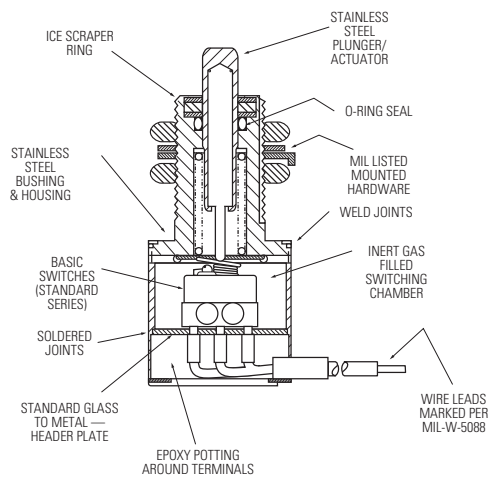
## SCHEMATIC



## STANDARD BASE



## BASIC CONSTRUCTION



**STANDARD**  
0.00 = inches  
[0,0] = mm

Dimensions for reference only.